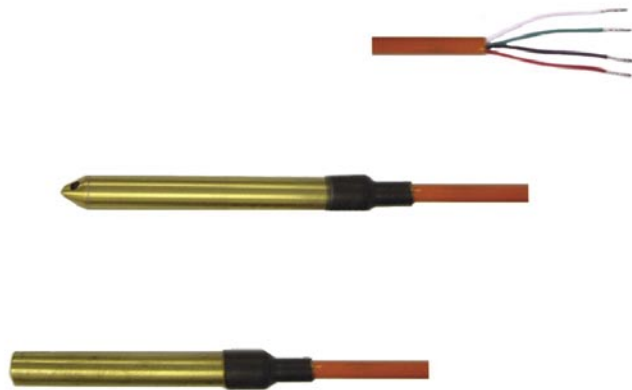




TELETHERMETER TC / TA / TW

APPLICATION

The Telethermometer is used for longterm measuring of temperature in concrete, water, rock, building ground and air.



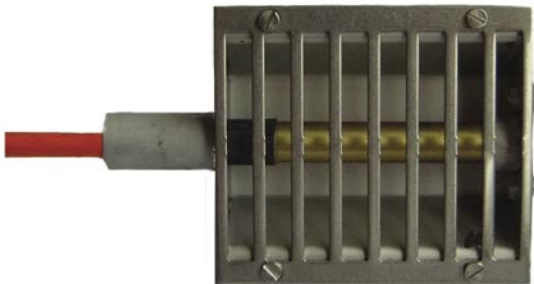
Telethermometer

DESCRIPTION

The Telethermometer is an electrical resistance thermometer connected according the shown scheme.

For reading the Telethermometer the portable readout unit Indipoc μ P20 is used.

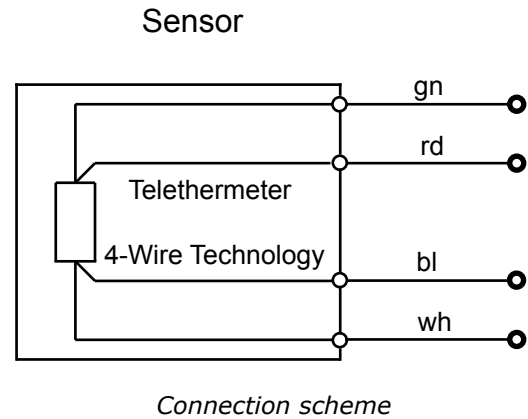
The Telethermometer can easily be connected to any data acquisition systems as for example the HUGGENBERGER Tensologger system.



Steel case for Telethermometer type TA and TW

REMARK

All Telethermometers are also available in economy version based on PT100 elements.





TELETHERMETER TC / TA / TW

TECHNICAL DATA

Type	TC*	TA*	TW*
Range of application	Concrete	Air	Water
Technology	Copper wire coil*		
Measuring range	-30°C bis +80°C		
Precision	±0.2°C*		
Additional case	Robust stainless steel case		
Connection	4-Wire connection with shielded cable (e.g. TS-PUR 4x0.75mm ²)		

* Economy-version bases on a PT100-element and has a precision of ±0.5°C.



SHELTER for Air Temperature

