



# TELELOT VDD2V4 / VDD3V4 with 3rd axis

## APPLICATION

The Telependulum Telelot VDD2V4 measures automatically, contactless and continuously the plumb wire coordinates within a range of 150mm x 60mm.



Telelot VDD2V4

## DESCRIPTION

The Telependulum Telelot VDD2V4 instrument is installed in a splashproof and corrosion-resistant

housing. Diodes and shadow sensors are protected against external influences, without the use of optical lenses. A built-in heater prevents condensation within the instrument.

Light sources cause a shadow of the plumb wire which is detected by bright-dark sensors. The exact position of the plumb wire is determined from the position of the light sources and the shadow focal points.

The instrument can be installed without removing the plumb wire. Installation and alignment are easily accomplished thanks to the support system featuring an universal joint.

The instrument is delivered with digital and analog signal output. Configuration is effected via the digital interface by an IBM-compatible computer. All cable connections to the instrument are plugged in on the underside by special connectors.

© HUGGENBERGER AG 2007

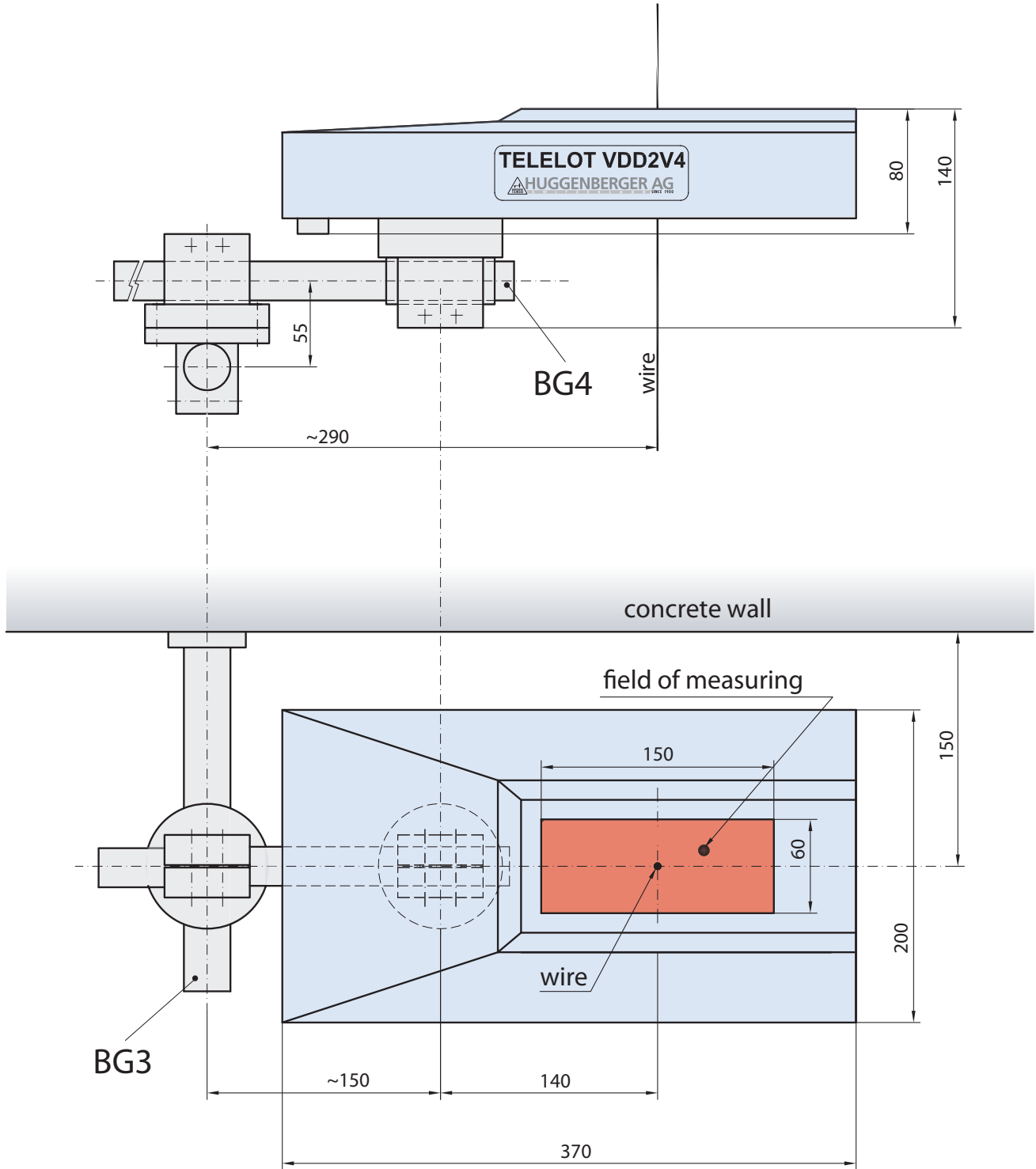
## TECHNICAL DATA

Type	VDD2V4	VDD3V4 with 3rd axis
Measuring system	contactless, no moving parts, no coated optical glasses	
Measuring ranges	X = 150mm, Y = 60mm	X = 150mm, Y = 60mm, Z = 20mm
Precision	±0.05mm in core area, ±0.1mm in boundary area	
Measuring rate	1 second to 12 hours	
Memory for measuring values	<b>20'000</b> single measuring values 100 values each before / after the first alarm 100 values each before / after the last alarm 500 average values 100 values of one daily individual measurement	
Plumb wire	Ø1 - 2.5mm	
Interfaces	RS232, RS485	
Analog signal output	0/4-20mA, 2 relais contacts	



# TELELOT VDD2V4 / VDD3V4 with 3rd axis

## INSTALLATION ARRANGEMENT



Length BG3: max. 300mm  
Length BG4: max. 300mm